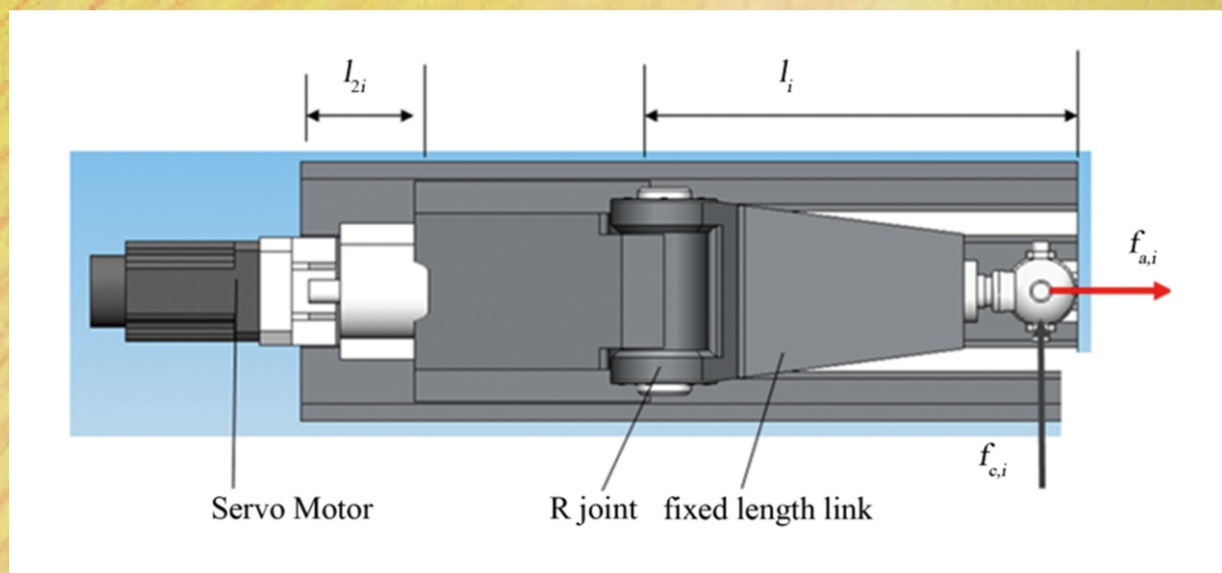


Modern Mechanical Engineering



ISSN: 2164-0165



Journal Editorial Board

ISSN Print: 2164-0165 ISSN Online: 2164-0181

<http://www.scirp.org/journal/mme>

Editor in Chief

Prof. C. W. Lim City University of Hong Kong, China

Editorial Board

Dr. Eugen Axinte Gheorghe Asachi Technical University of Iasi (TUIASI), Romania

Dr. Vincenzo Bianco University of Genova, Italy

Prof. Daniel Chen University of Saskatchewan, Canada

Dr. Gang (Sheng) Chen Marshall University, USA

Prof. Wen-Feng Ding Nanjing University of Aeronautics and Astronautics, China

Dr. Babak Ebrahimi Petroleum Industry Research Engineering Company (PIRE Co.), Iran

Dr. Asghar Esmaeeli Southern Illinois University, USA

Dr. Sachin Goyal University of California, USA

Dr. Linxia Gu University of Nebraska-Lincoln, USA

Dr. Xingjian Jing Hong Kong Polytechnic University, China

Dr. Jaehyung Ju University of North Texas, USA

Dr. Abdullah Abbas Kendoush Augusta Technical College, USA

Dr. Hong Jin Kim Globalfoundries, USA

Dr. Samir Mekid King Fahd University Petroleum & Minerals, Saudi Arabia

Dr. Gordon R. Pennock Purdue University, USA

Dr. Giuseppe Vairo University of Rome "Tor Vergata", Italy

Prof. Yong Zhou Zhejiang Normal University, China

Table of Contents

Volume 4 Number 2

May 2014

A Study on the Effective Long Type Coil Shape by Multidisciplinary Method in Induction Heating

Y. H. Lee, Y. S. Ha.....57

Experimental Verification of Fault Predictions in High Pressure Hydraulic Systems

P. Athanasatos, D. Koulocheris, Th. Costopoulos, V. Spitas.....67

Heat Flux Analysis in Electrical Transformers through Integral Operators of Mechanics

F. Bulnes, A. R. Tello, M. Livera.....84

Semi-Analytical Approach for Stiffness Estimation of 3-DOF PKM

H. Nigus.....108

Modern Mechanical Engineering (MME)

Journal Information

SUBSCRIPTIONS

The *Modern Mechanical Engineering* (Online at Scientific Research Publishing, www.SciRP.org) is published quarterly by Scientific Research Publishing, Inc., USA.

Subscription rates:

Print: \$69 per issue.

To subscribe, please contact Journals Subscriptions Department, E-mail: sub@scirp.org

SERVICES

Advertisements

Advertisement Sales Department, E-mail: service@scirp.org

Reprints (minimum quantity 100 copies)

Reprints Co-ordinator, Scientific Research Publishing, Inc., USA.

E-mail: sub@scirp.org

COPYRIGHT

COPYRIGHT AND REUSE RIGHTS FOR THE FRONT MATTER OF THE JOURNAL:

Copyright © 2014 by Scientific Research Publishing Inc.

This work is licensed under the Creative Commons Attribution International License (CC BY).

<http://creativecommons.org/licenses/by/4.0/>

COPYRIGHT FOR INDIVIDUAL PAPERS OF THE JOURNAL:

Copyright © 2014 by author(s) and Scientific Research Publishing Inc.

REUSE RIGHTS FOR INDIVIDUAL PAPERS:

Note: At SCIRP authors can choose between CC BY and CC BY-NC. Please consult each paper for its reuse rights.

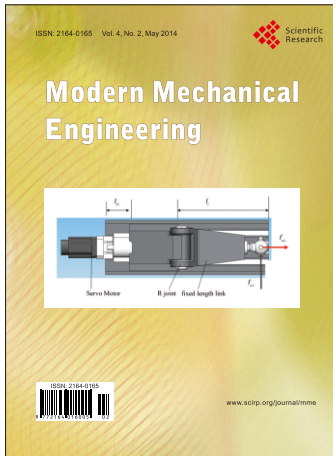
DISCLAIMER OF LIABILITY

Statements and opinions expressed in the articles and communications are those of the individual contributors and not the statements and opinion of Scientific Research Publishing, Inc. We assume no responsibility or liability for any damage or injury to persons or property arising out of the use of any materials, instructions, methods or ideas contained herein. We expressly disclaim any implied warranties of merchantability or fitness for a particular purpose. If expert assistance is required, the services of a competent professional person should be sought.

PRODUCTION INFORMATION

For manuscripts that have been accepted for publication, please contact:

E-mail: mme@scirp.org



Modern Mechanical Engineering

ISSN Print: 2164-0165 ISSN Online: 2164-0181
<http://www.scirp.org/journal/mme>

Modern Mechanical Engineering (MME) is an international journal dedicated to the latest advancement of mechanical engineering. The goal of this journal is to provide a platform for scientists and academicians all over the world to promote, share, and discuss various new issues and developments in different areas of mechanical engineering.

Editor in Chief

Prof. C. W. Lim

City University of Hong Kong, China

Editorial Board

Dr. Eugen Axinte

Dr. Vincenzo Bianco

Prof. Daniel Chen

Dr. Gang (Sheng) Chen

Prof. Wen-Feng Ding

Dr. Babak Ebrahimi

Dr. Asghar Esmaeeli

Dr. Sachin Goyal

Dr. Linxia Gu

Dr. Xingjian Jing

Dr. Jaehyung Ju

Dr. Abdullah Abbas Kendoush

Dr. Hong Jin Kim

Dr. Samir Mekid

Dr. Gordon R. Pennock

Dr. Giuseppe Vairo

Prof. Yong Zhou

Gheorghe Asachi Technical University of Iasi (TUIASI), Romania

University of Genova, Italy

University of Saskatchewan, Canada

Marshall University, USA

Nanjing University of Aeronautics and Astronautics, China

Petroleum Industry Research Engineering Company (PIRE Co.), Iran

Southern Illinois University, USA

University of California, USA

University of Nebraska-Lincoln, USA

Hong Kong Polytechnic University, China

University of North Texas, USA

Augusta Technical College, USA

Globalfoundries, USA

King Fahd University Petroleum & Minerals, Saudi Arabia

Purdue University, USA

University of Rome "Tor Vergata", Italy

Zhejiang Normal University, China

Subject Coverage

All manuscripts must be prepared in English, and are subject to a rigorous and fair peer-review process. Accepted papers will immediately appear online followed by printed hard copy. The journal publishes original papers including but not limited to the following fields:

- Applied Mathematics and Mechanics
- Biomechanics
- Celestial Mechanics and Dynamical Astronomy
- Computational Mechanics
- Computer Methods in Applied Mechanics and Engineering
- Continuum Mechanics and Thermodynamics
- Damage Mechanics
- Engineering Fracture Mechanics
- Experimental Mechanics
- Mathematical Fluid Mechanics
- Mechanics in Medicine and Biology
- Mechanics of Composite Materials
- Mechanics of Materials
- Mechanism and Machine Theory
- Non-Linear Mechanics
- Non-Newtonian Fluid Mechanics
- Numerical and Analytical Methods in Geomechanics
- Rock Mechanics and Mining Sciences
- Solid and Structural Mechanics
- Theoretical and Applied Fracture Mechanics

We are also interested in: 1) Short Reports—2-5 page papers where an author can either present an idea with theoretical background but has not yet completed the research needed for a complete paper or preliminary data; 2) Book Reviews—Comments and critiques.

Website and E-Mail

<http://www.scirp.org/journal/mme>

E-mail: mme@scirp.org

